



**Manufacturing Limited**

**611, Jordanstown Road,  
Greenogue Business Park,  
Rathcoole, Co. Dublin.**

**Rebar Cut & Bent Mesh Reinforcement**

**Ph: 01-4587156 or 01-4587165**

**Fax: 01-4587204**



Certificate Number  
140404



**email: sean@jss.ie  
mobile: 087 6329466**

**declan@jss.ie  
mobile: 087 3297237**

**Area and Weights of Bars**

Dia. mm	Area mm	Weight. Kg./M	No. of Metres per Tonne	Approx. No. 12M Bars per Tonne
6	28.3	0.222	4505	376
8	50.3	0.395	2532	211
10	78.5	0.616	1623	136
12	113.1	0.888	1126	94
16	201.1	1.579	633	53
20	314.2	2.466	406	34
25	490.9	3.854	259	22
32	804.2	6.313	158	14
40	1256.6	9.864	101	9

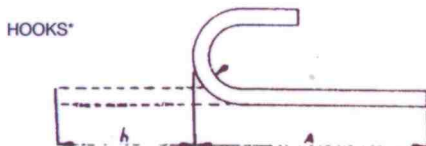
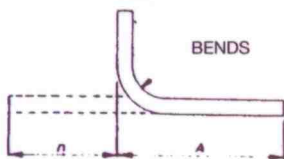
**H.T. Mesh to B.S. 4483 - 1988**

B.S. Ref.	Mesh Sizes nominal pitch of wires		Sizes of wire		Cross Sectional area per metre width		Nominal Mass per square metre kg.	Approx. No. of sheets per Tonne
	Main mm	Cross mm	Main mm	Cross mm	Main mm <sup>2</sup>	Cross mm <sup>2</sup>		
<b>SQUARE</b>								
A393	200	200	10	10	393	393	6.16	14
A252	200	200	8	8	252	252	3.95	22
A193	200	200	7	7	193	193	3.02	29
A142	200	200	6	6	142	142	2.22	40
A98	200	200	5	5	98	98	1.54	56
<b>STRUCTURAL</b>								
B1131	100	200	12	8	1131	252	10.9	8
B785	100	200	10	8	785	252	8.14	11
B503	100	200	8	8	503	252	5.93	15
B385	100	200	7	7	385	193	4.53	19
B283	100	200	6	7	283	193	3.73	23
B196	100	200	5	7	196	193	3.05	28
<b>LONG</b>								
C785	100	400	10	6	785	70.8	6.72	13
C636	100	400	9	6	635.9	70.8	5.55	16
C503	100	400	8	5	503	49.0	4.34	20
C385	100	400	7	5	385	49.0	3.41	25
C283	100	400	6	5	283	49.0	2.61	33
<b>WRAPPING</b>								
D98	200	200	5	5	98	98	1.54	56
D49	100	100	2.5	2.5	49.0	49.0	0.760	113

**Conversion Factors**

TO CONVERT	MULTIPLY BY
Inches to mm	25.4
mm to Inches	0.039
Feet to Metres	0.305
Metres to Feet	3.281
Ins <sup>2</sup> to mm <sup>2</sup>	645.2
mm <sup>2</sup> to Ins <sup>2</sup>	0.00155
Yards <sup>2</sup> to Metres <sup>2</sup>	0.836
Metres <sup>2</sup> to Yards <sup>2</sup>	1.196
Tons to Tonnes (1000kg)	1.016
Tonnes (1000kg) to Tons	0.984

**MINIMUM FORMER RADII, BEND AND HOOK ALLOWANCES**

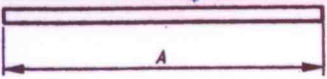
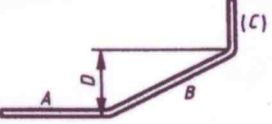
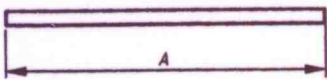
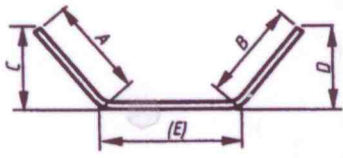
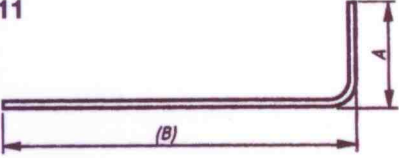
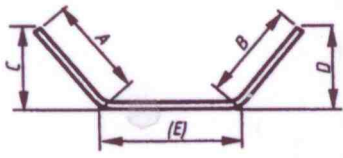
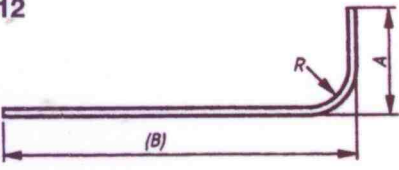
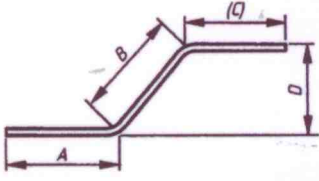
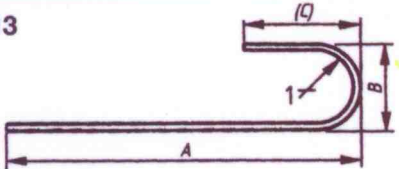
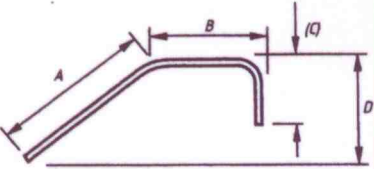
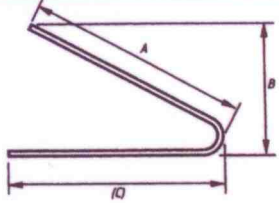
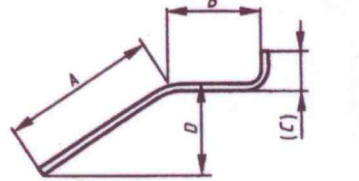
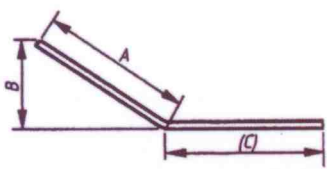
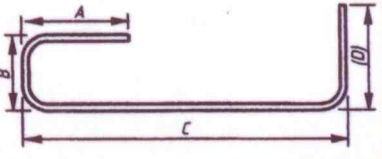
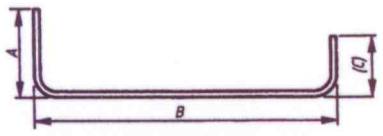
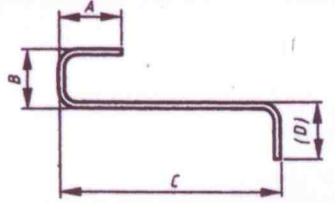
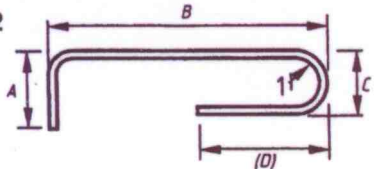
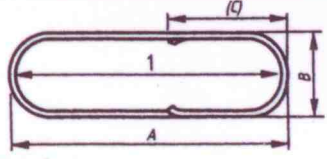
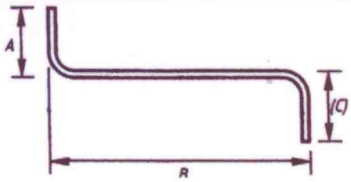


Bar Size	Grade 250 bars with the requirements of BS 4449			Grade 460 bars complying with the requirements of BS 4449			Hard drawn wire complying with the requirements of BS 4482				
	d	r†	n	h	r	n	h	d	r	n	h
6 #	12	100	100	18	100	100	5	15-	100	100	
8	16	100	100	24	100	100	6	18	100	100	
10	20	100	100	30	100	110	7	21	100	100	
12	24	100	110	36	100	140	8	24	100	100	
16	32	100	150	48	100	180	9	27	120	135	
20	40	100	180	60	110	220	10	30	120	135	
25	50	130	230	100	180	350	12	36	130	145	
32	64	160	290	128	230	450	-	-	-	-	
40	80	200	360	160	280	560	-	-	-	-	
50 #	100	250	450	200	350	700	-	-	-	-	

\* The use of Hooks as end anchorages is not normally necessary with deformed bars.  
† It should be borne in mind that special precautions such as reducing the speed of bending or increasing the radius of bending may be necessary in cold weather. For bending and rebending on site refer to BS 8110 1985

# Non-preferred size.  
NOTE: These radii are the minimum radii of the formers for material complying with the relevant British Standard. Certain design situations may call for larger radii and for these the recommendations in BS 8110 1985 should be followed.

# Shape Codes to BS 8666:2005

Shape Code	Total length of bar (L) Measuring along centre line	Shape Code	Total length of bar (L) Measuring along centre line
00	 A	24	 $A + B + (C)$
01	 A <small>Stock bars are supplied in 12 meter nominal lengths in diameters of 12mm and above in original manufacturers bundles. Tolerances for stock lengths shall be subject to BS 449:2005</small>	25	 $A + B + (E)$
11	 $A + (B) - 0.5R - d$	26	 $A + B + (C)$
12	 $A + (B) - 0.43R - 1.2d$	27	 $A + B + (C) - 0.5r - d$
13	 $A + 0.57B + (C) - 1.6d$ 1 Semi-circular	28	 $A + B + (C) - 0.5r - d$
14	 $A + (C) - 4d$	29	 $A + B + (C) - r - 2d$
15	 $A + (C)$	31	 $A + B + C + (D) - 1.5r - 3d$
21	 $A + B + (C) - r - 2d$	32	 $A + B + C + (D) - 1.5r - 3d$
22	 $A + B + C + (D) - 1.5r - 3d$ 1 Semi-circular	33	 $2A + 1.7B + 2C - 4d$ Key 1 Semi-circular
23	 $A + B + (C) - r - 2d$		

